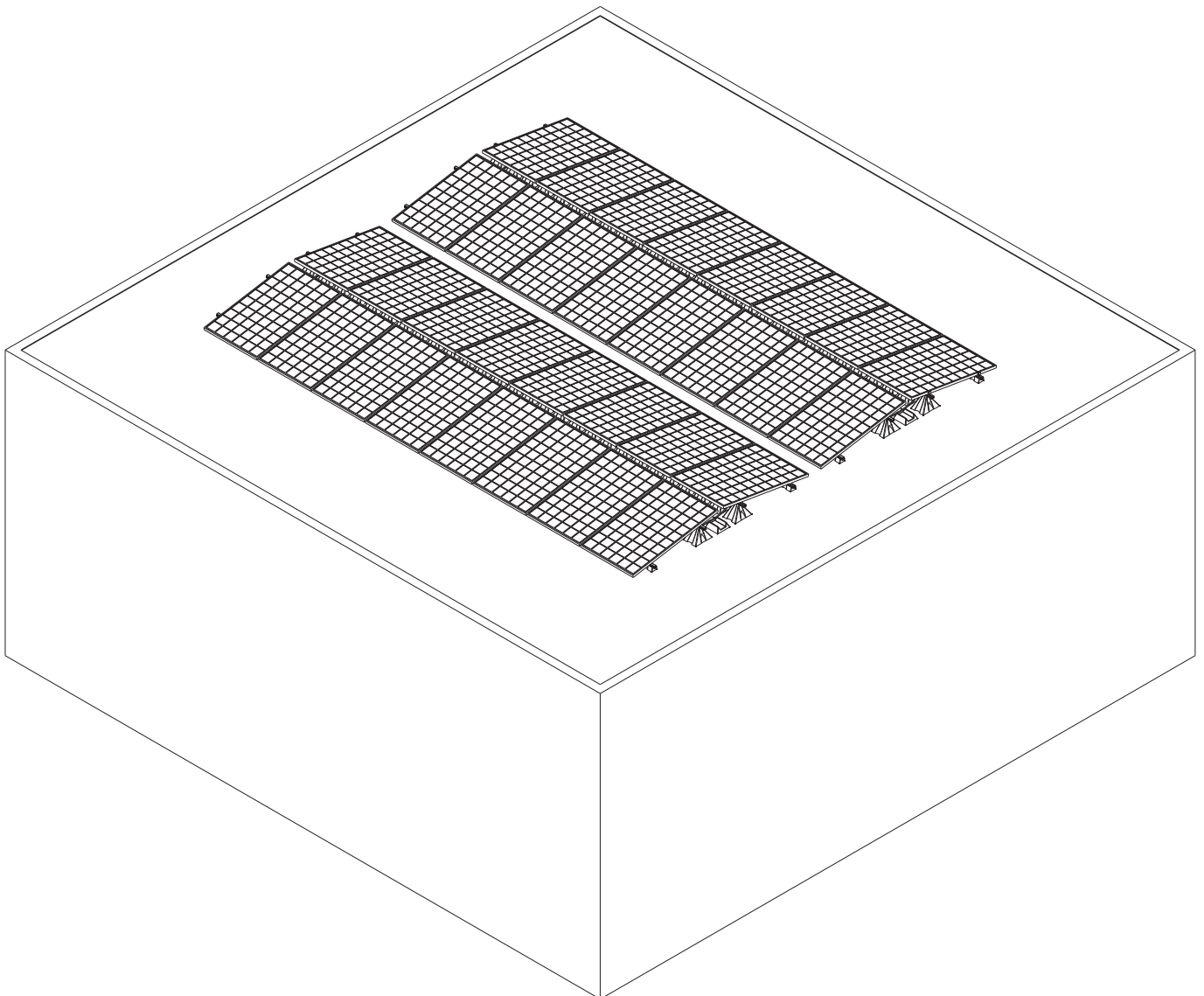
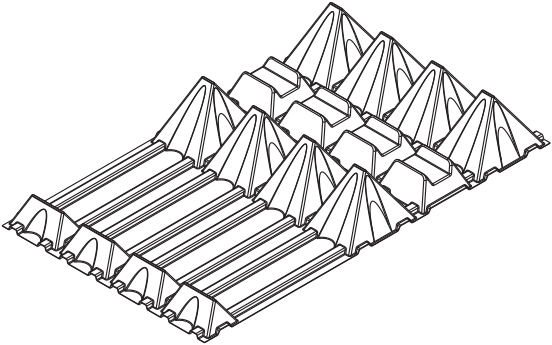
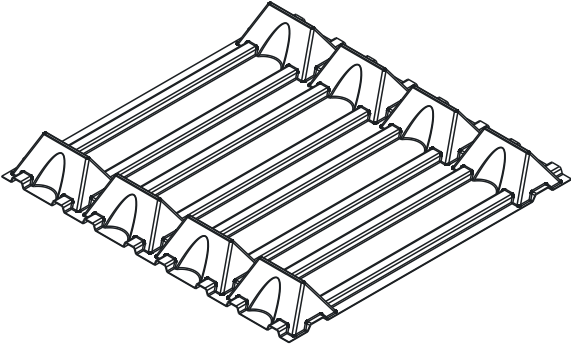
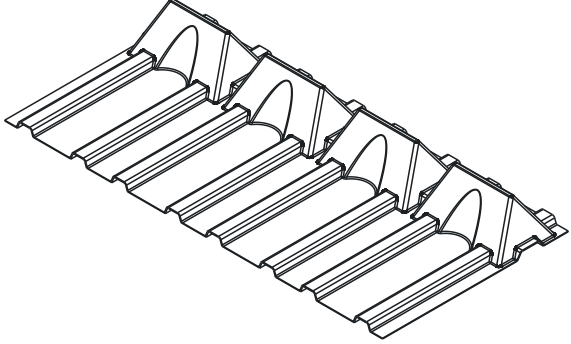
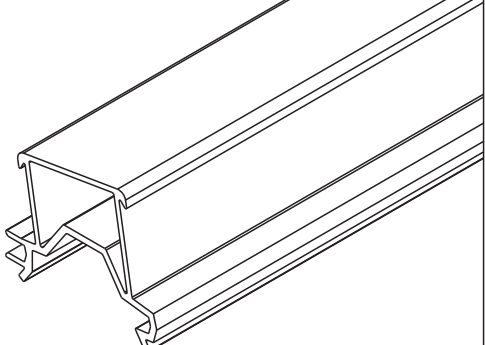
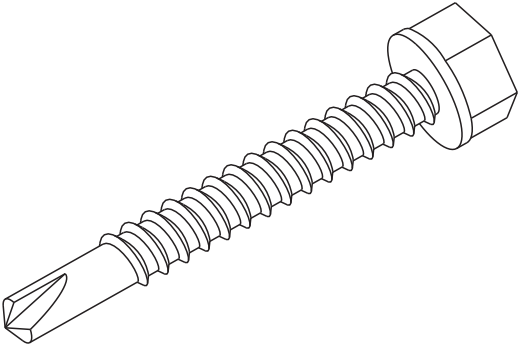


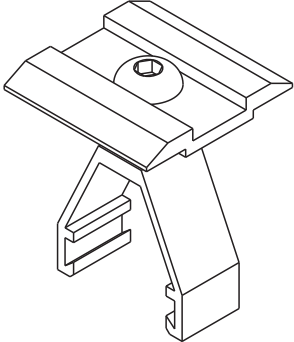
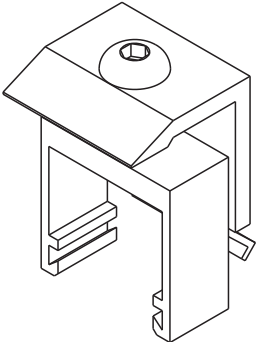
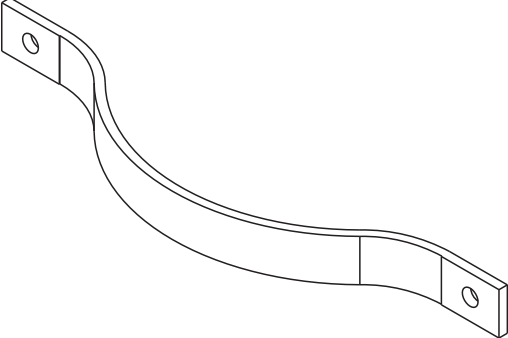
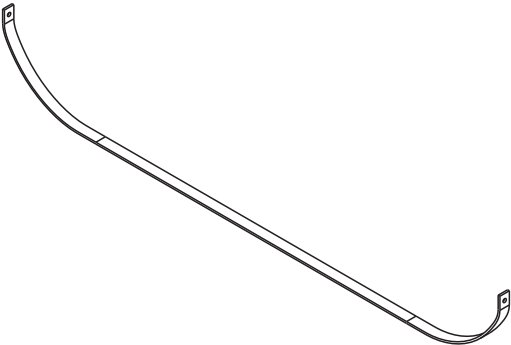
Operating instructions

FORM²⁶⁰**SOL**

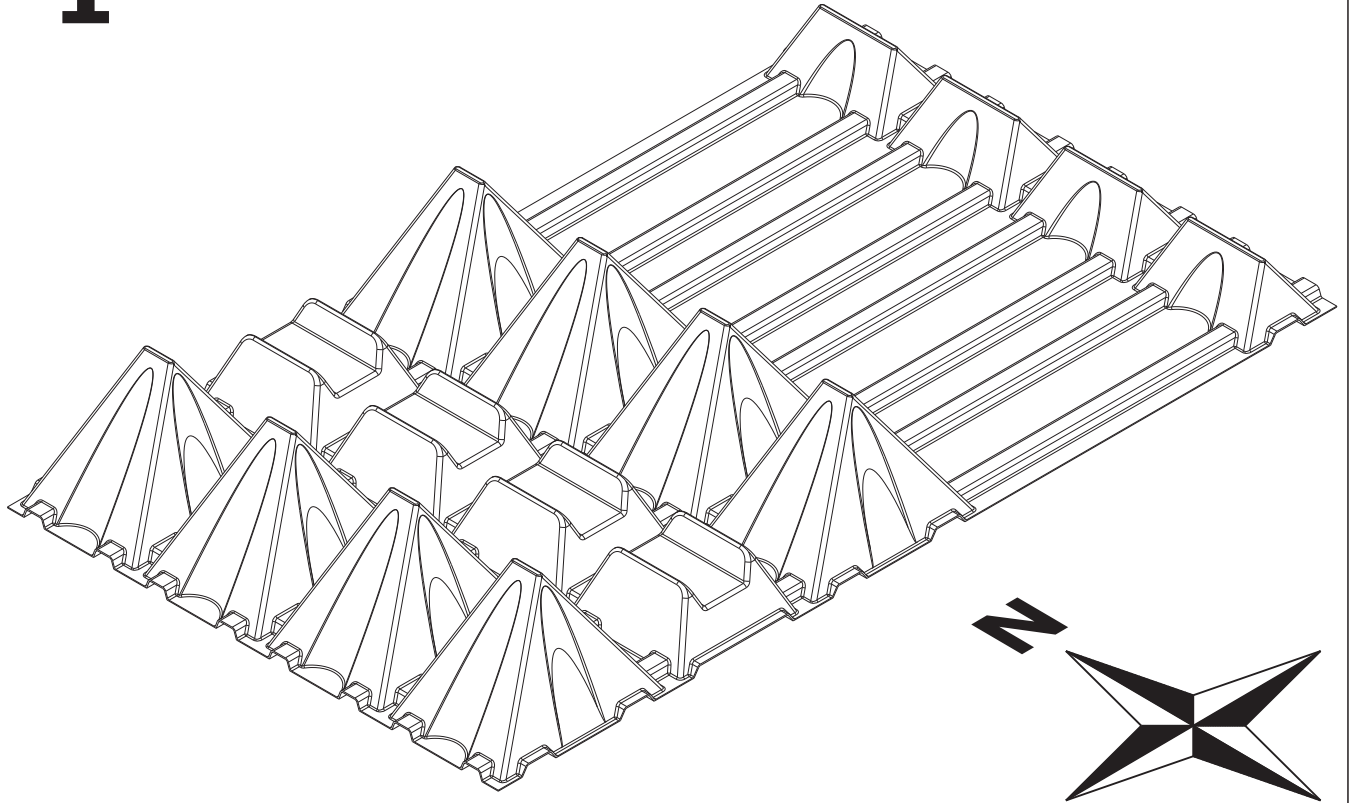


Overview Formsol²⁶⁰

	Item number	Description
	260.1	Formsol ²⁶⁰ / element
	260.2	Formsol ²⁶⁰ / path element
	260.2h	Formsol ²⁶⁰ / path element - half
	31057	Formsol ²⁶⁰ / aluminium rail 10° Length: 5'700mm
	500	Formsol ²⁶⁰ / Inox self-tapping screw

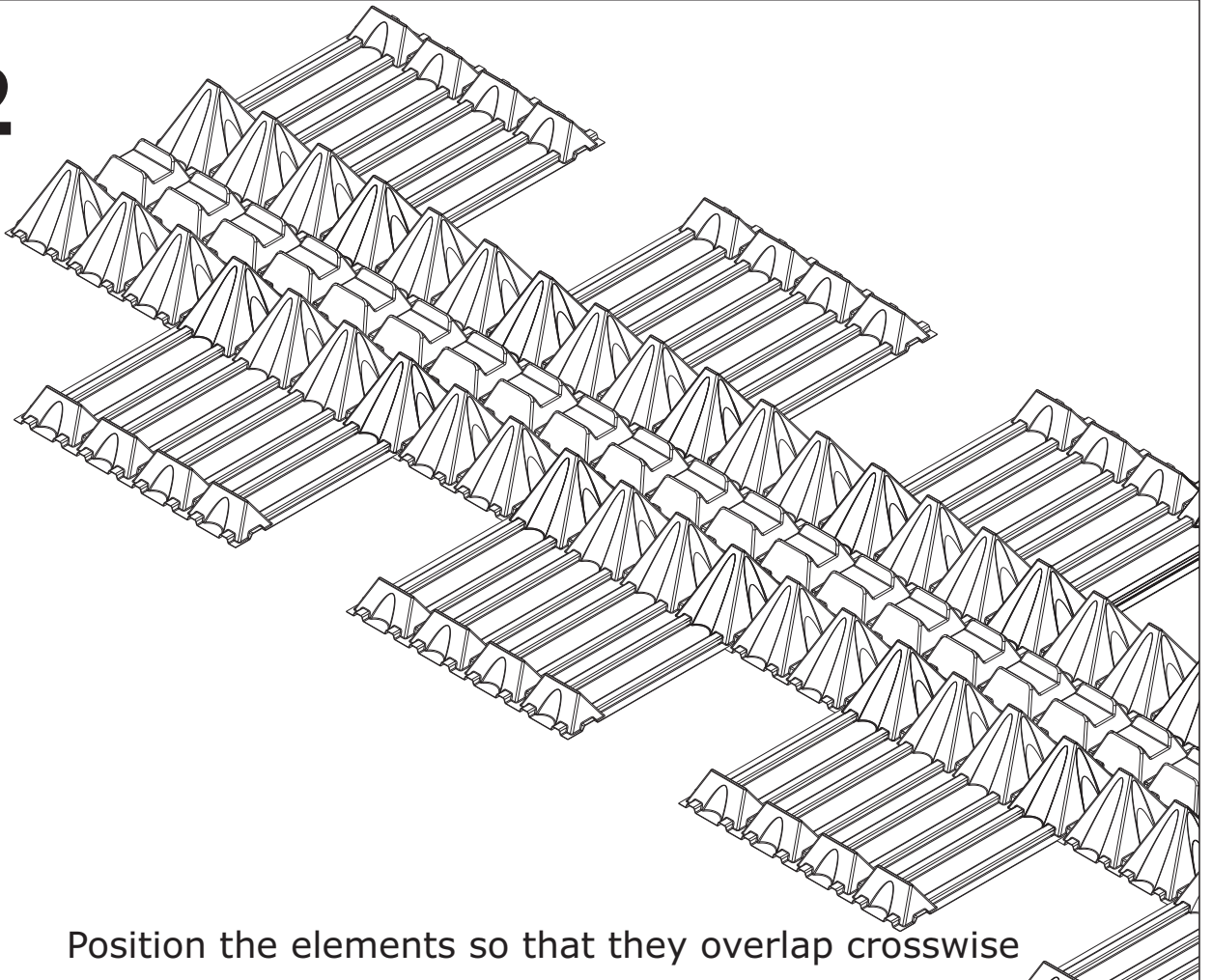
	Item number	Description
	400m	Formsol²⁶⁰ / Universal central clamp Clamping range: 30 - 50mm
	400r	Formsol²⁶⁰ / Universal edge clamp Clamping range: 30 - 50mm
	450k	Formsol²⁶⁰ / Short profile connector Potential equalisation in direction of rail
	450l	Formsol²⁶⁰ / Long profile connector Potential equalisation between module rows

1



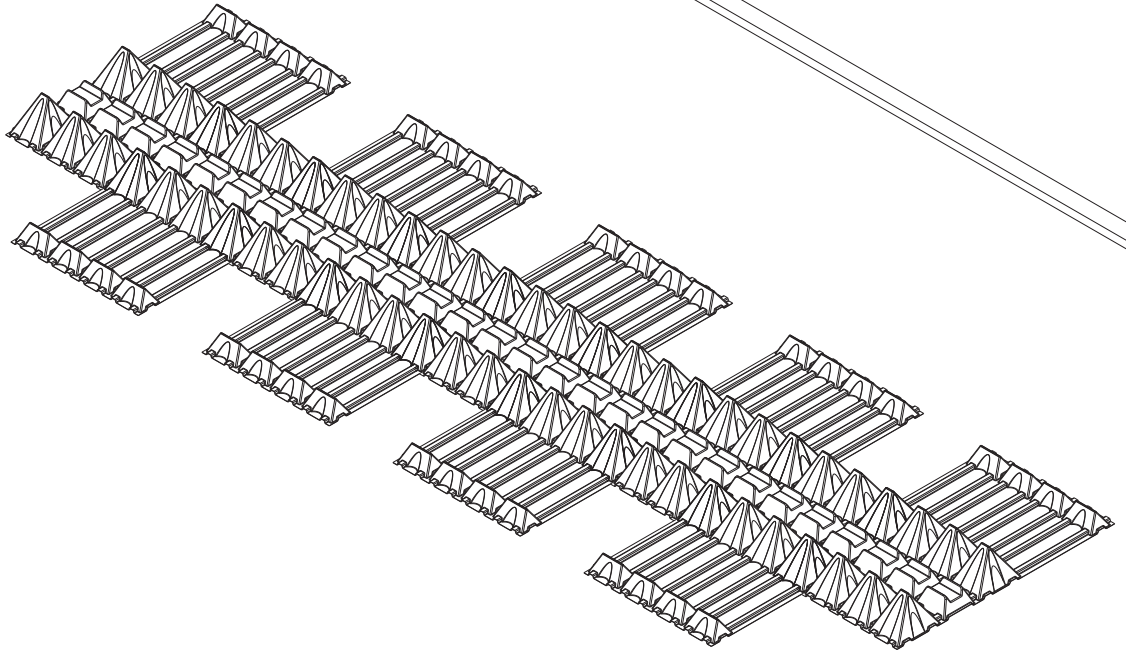
First, cover the roof decking with fleece.

2



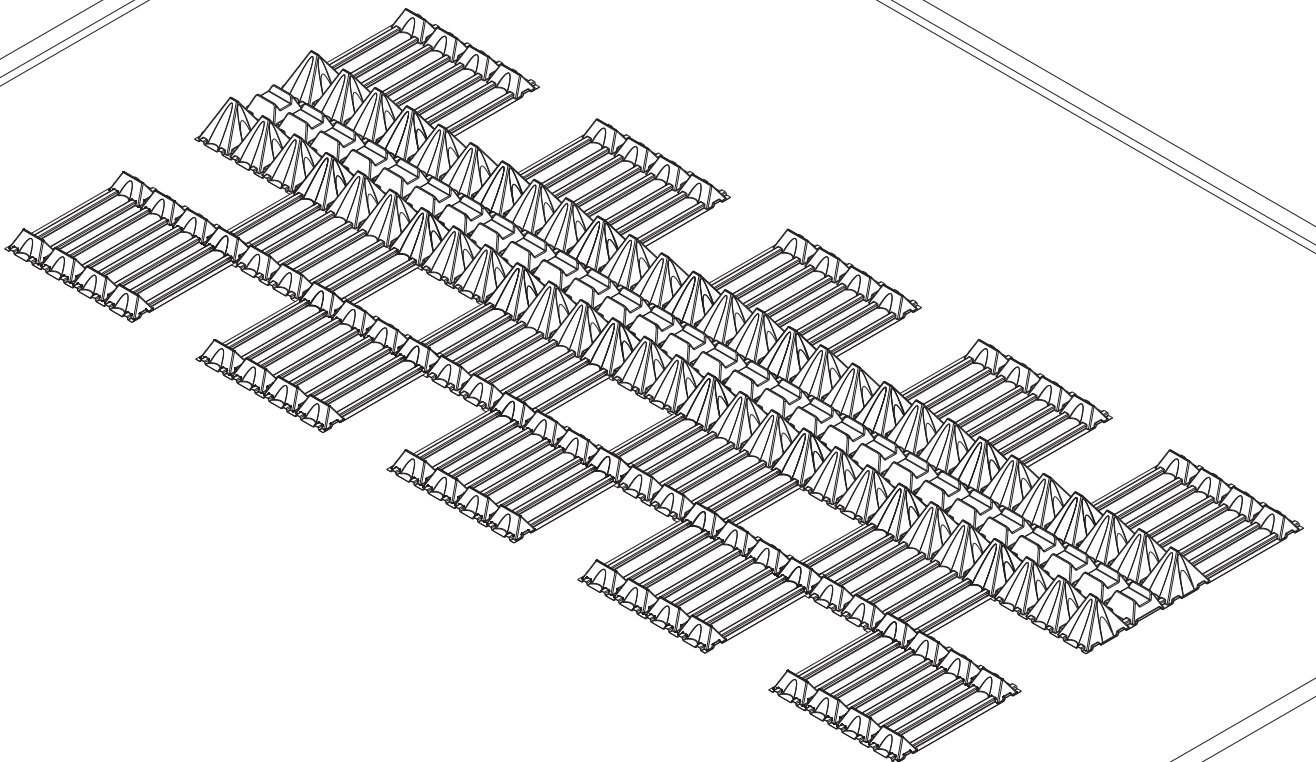
Position the elements so that they overlap crosswise

3



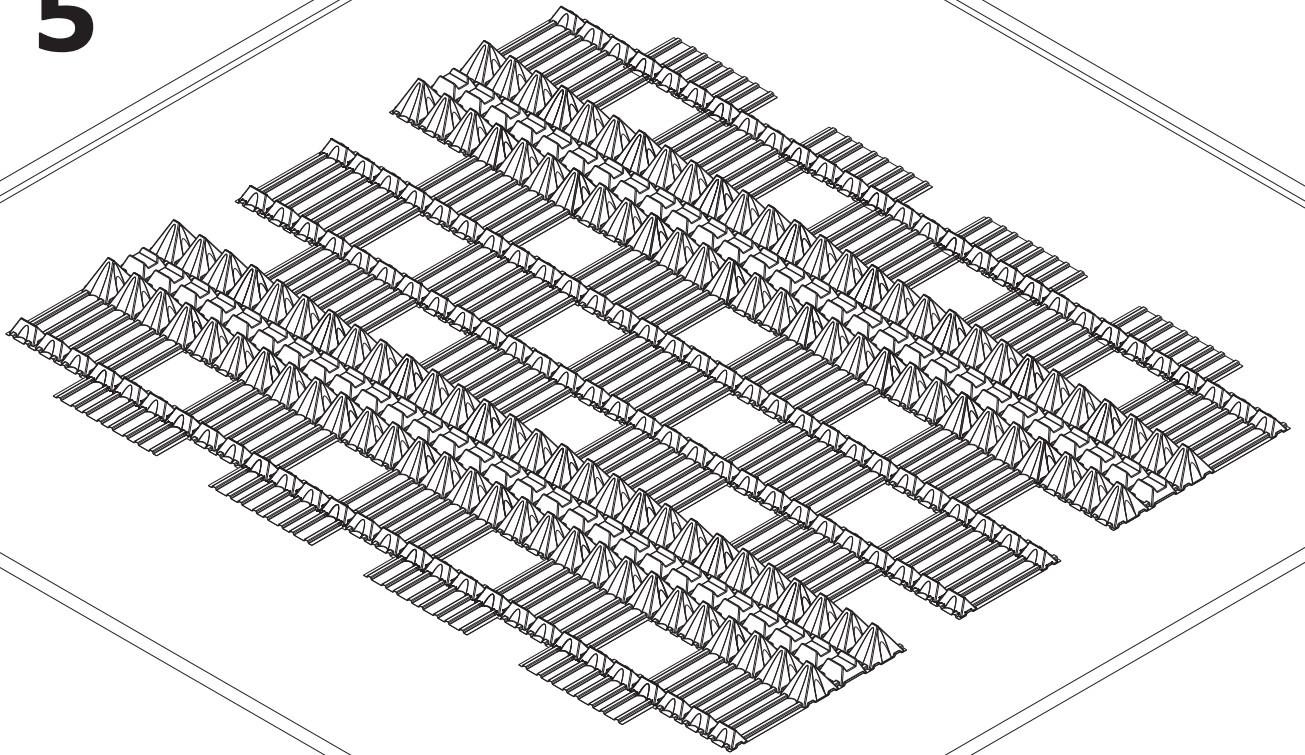
Install entire row

4



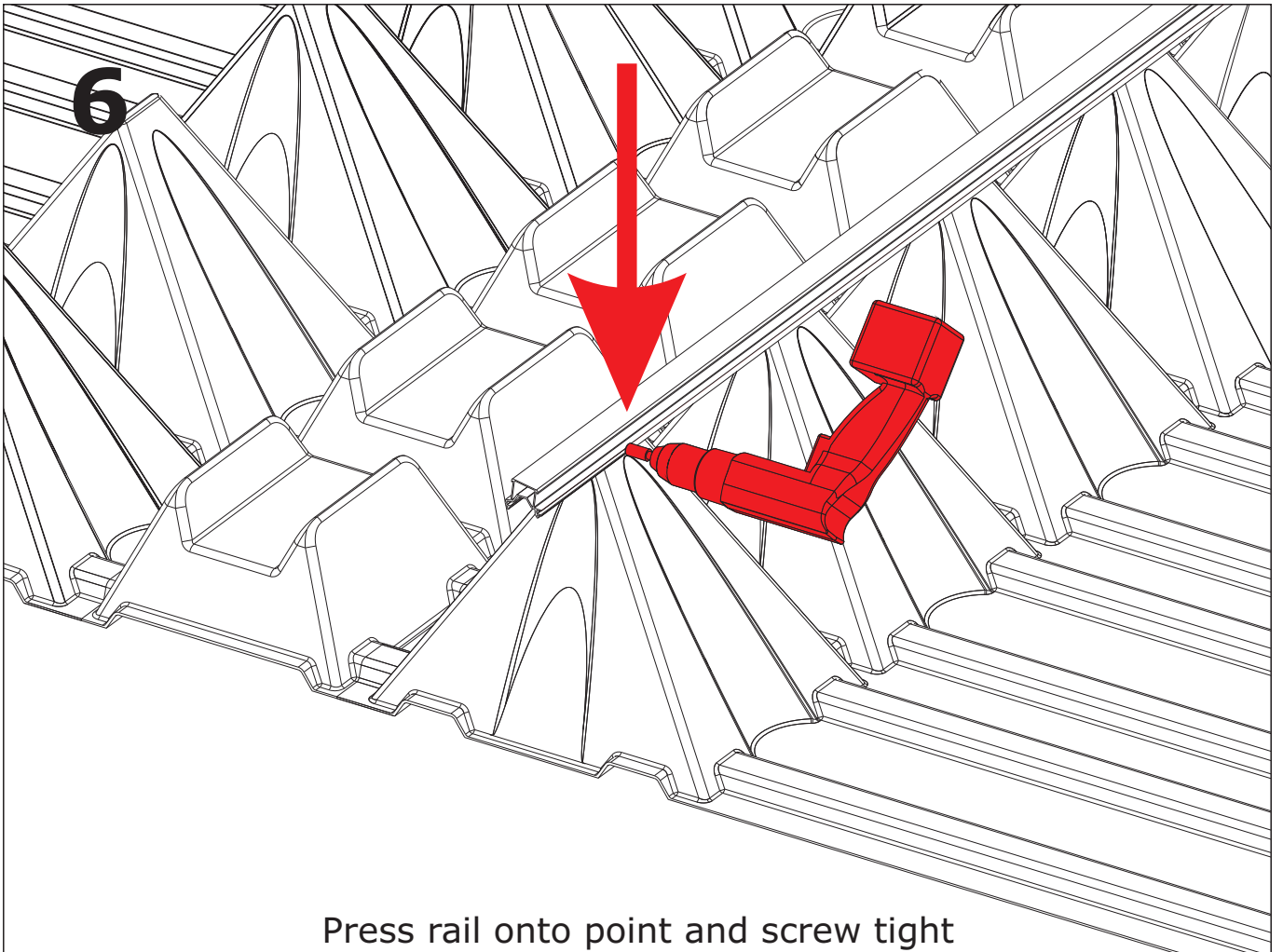
Install path elements

5



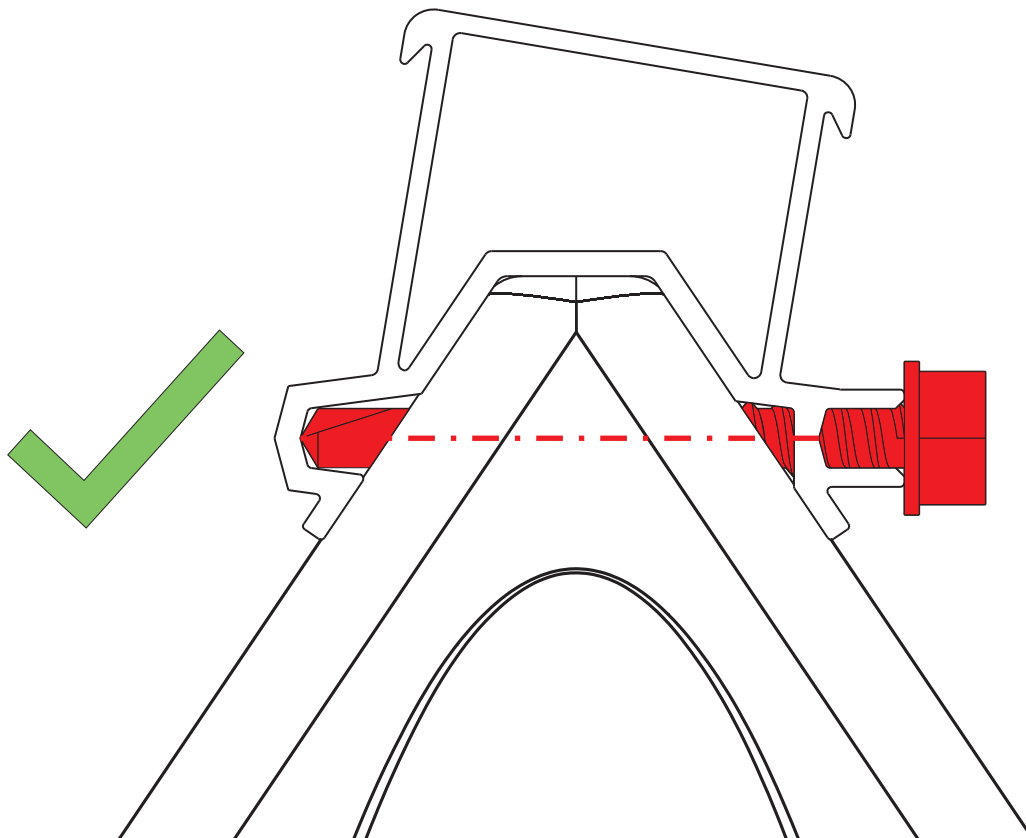
Set up field / half path elements outside

6

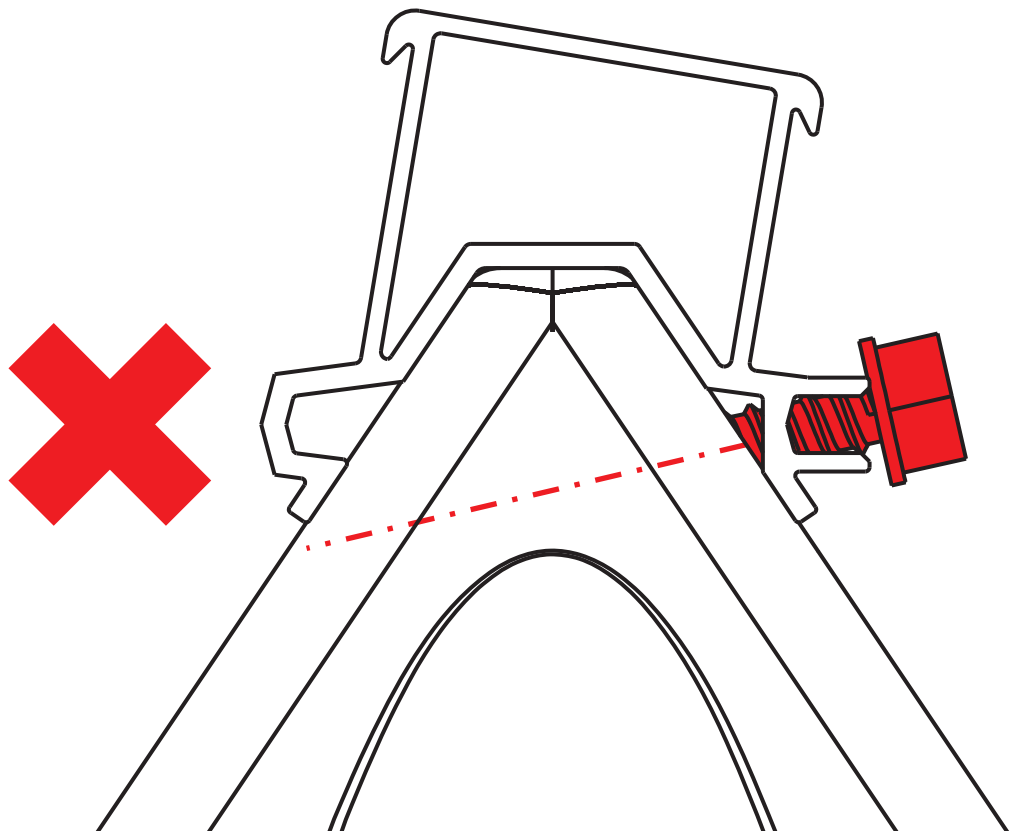


Press rail onto point and screw tight

7

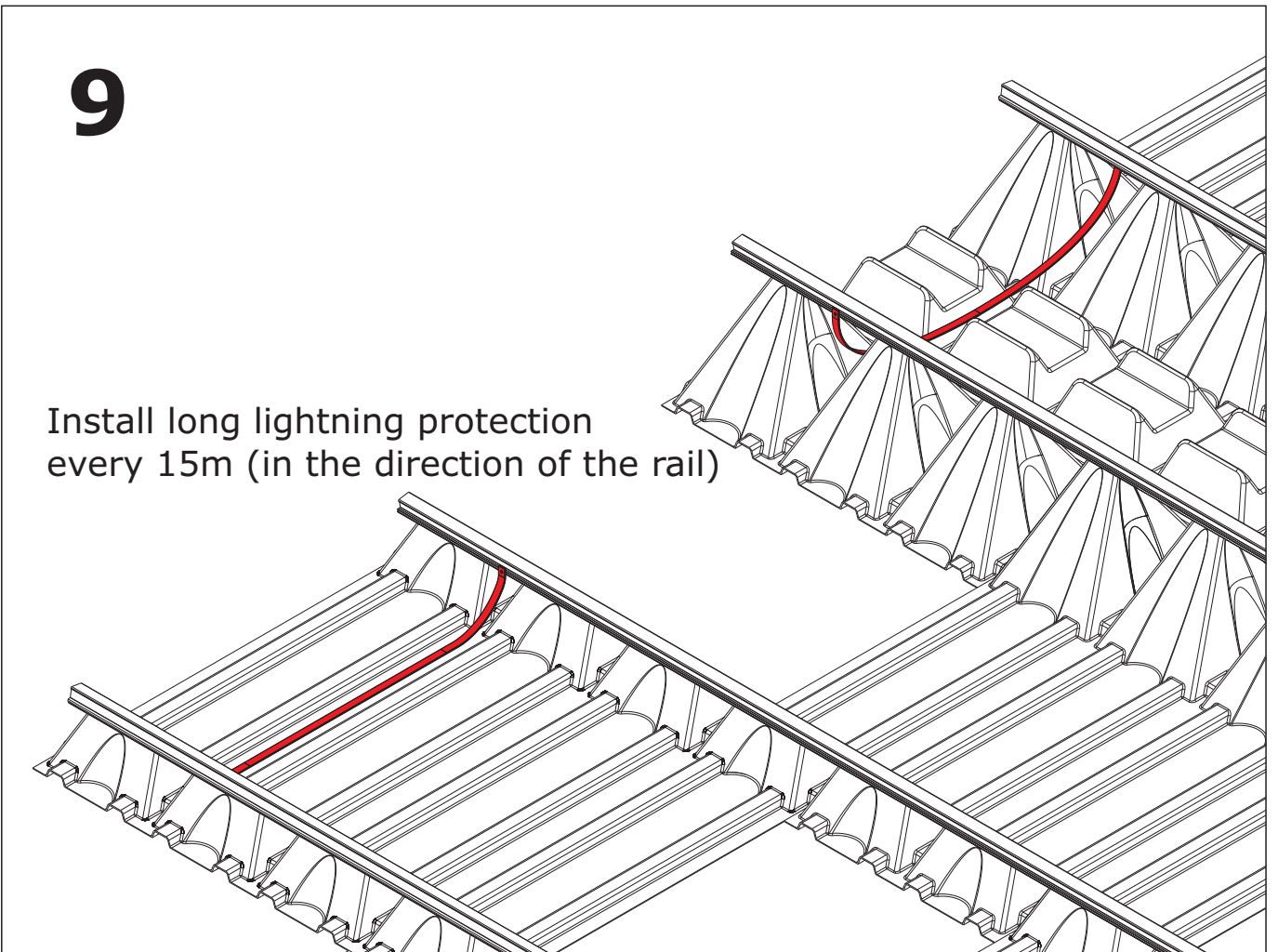


8



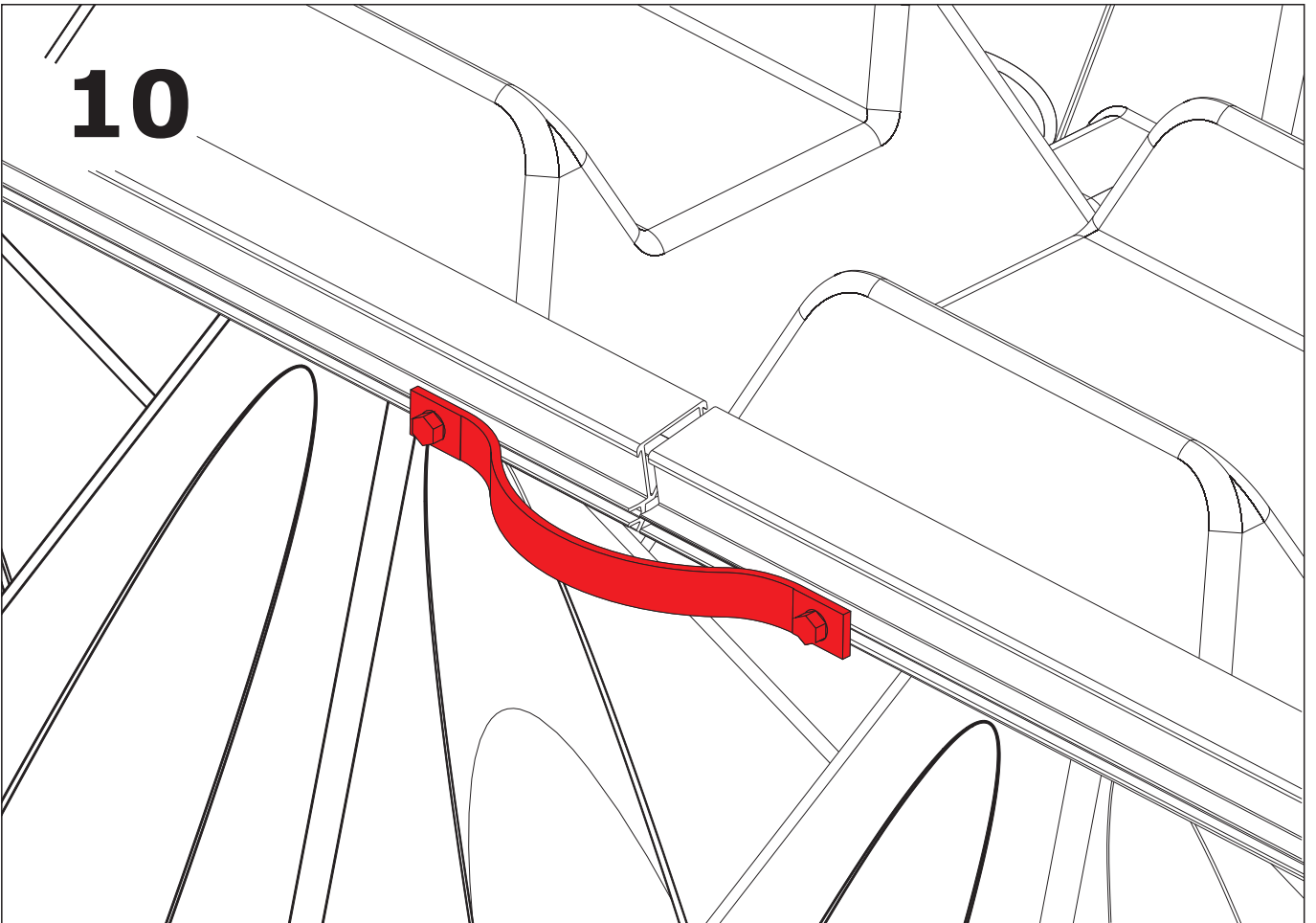
9

Install long lightning protection every 15m (in the direction of the rail)

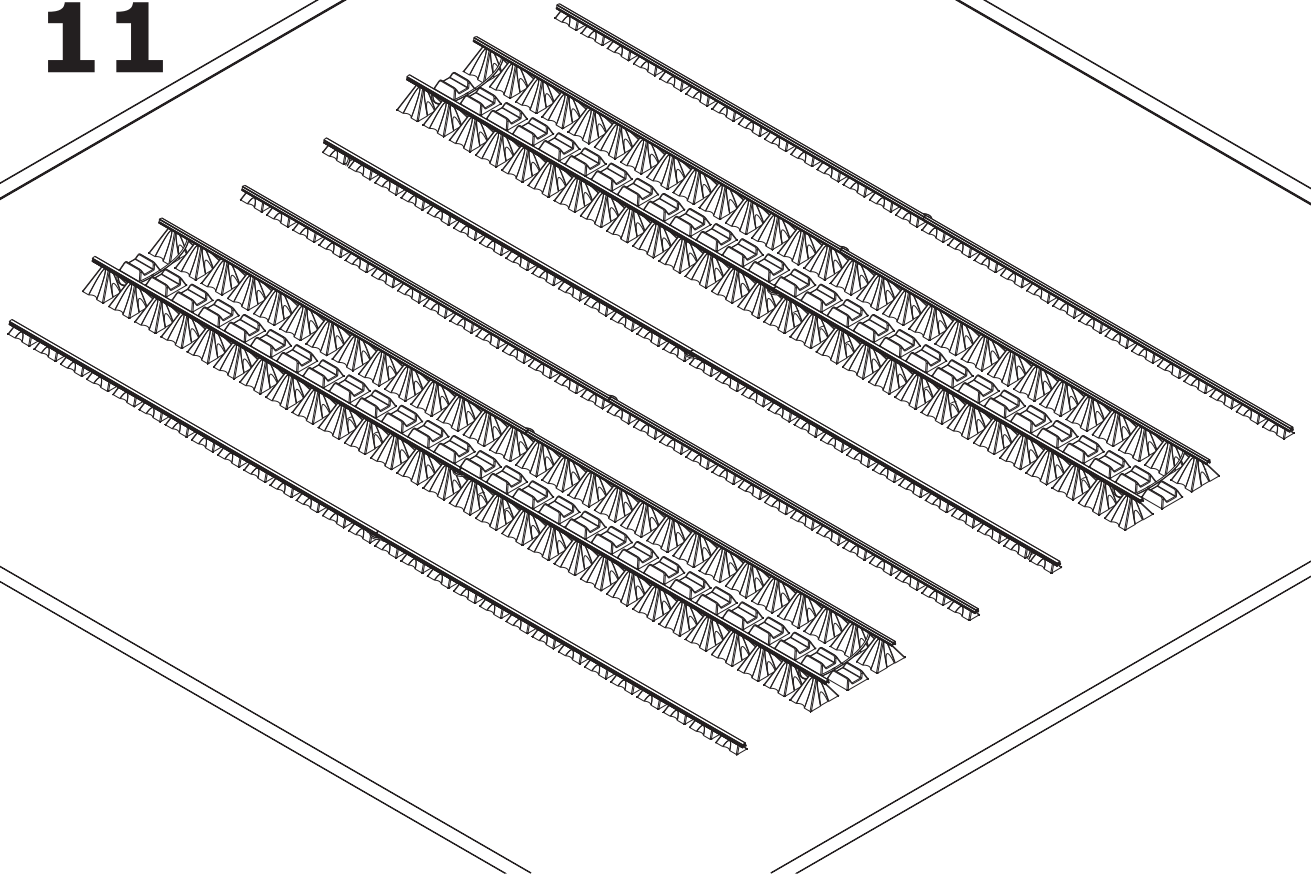


10

Install short lightning protection at the end of the rail

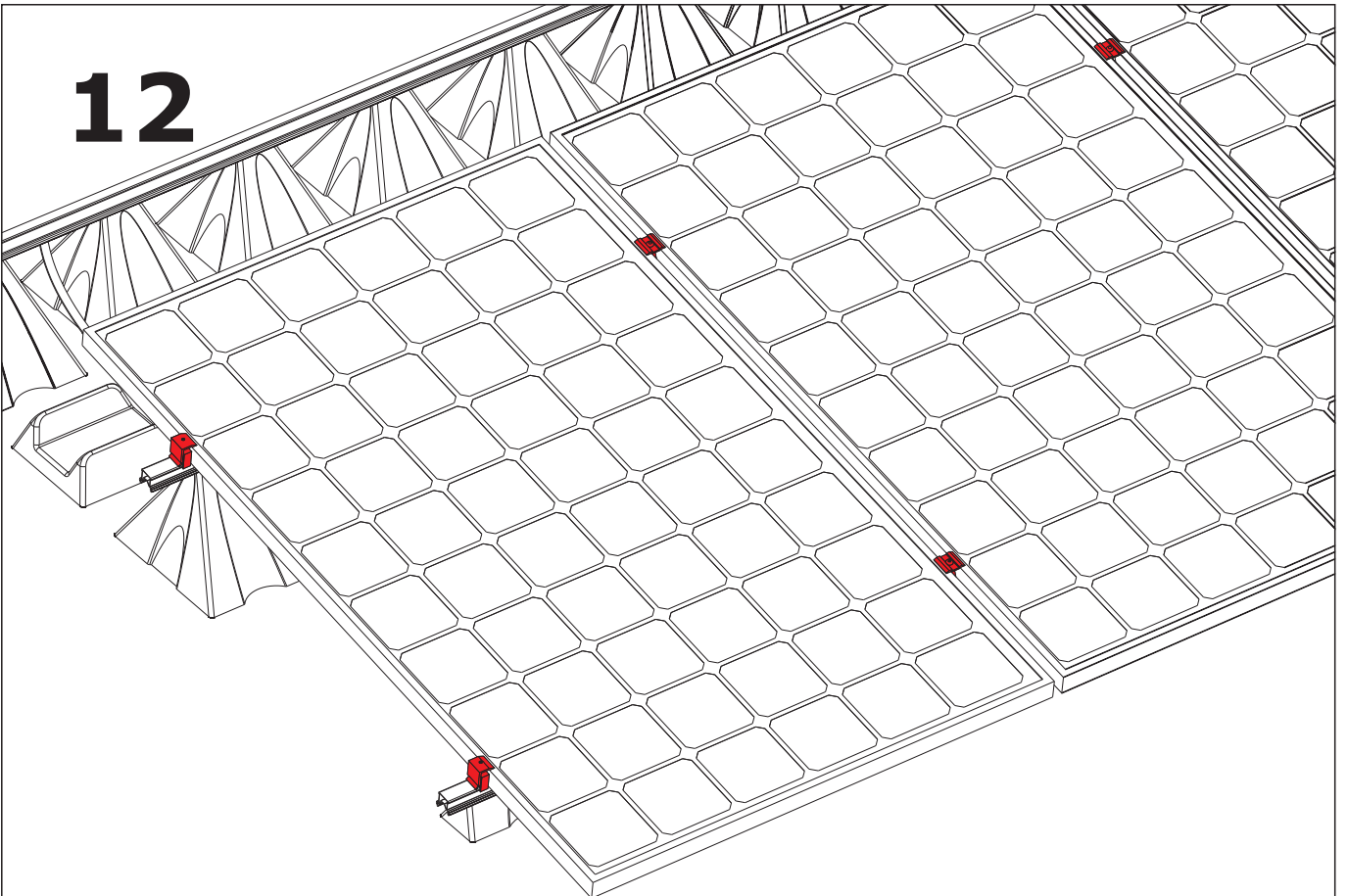


11



Weight down elements with gravel

12



Clamp the modules