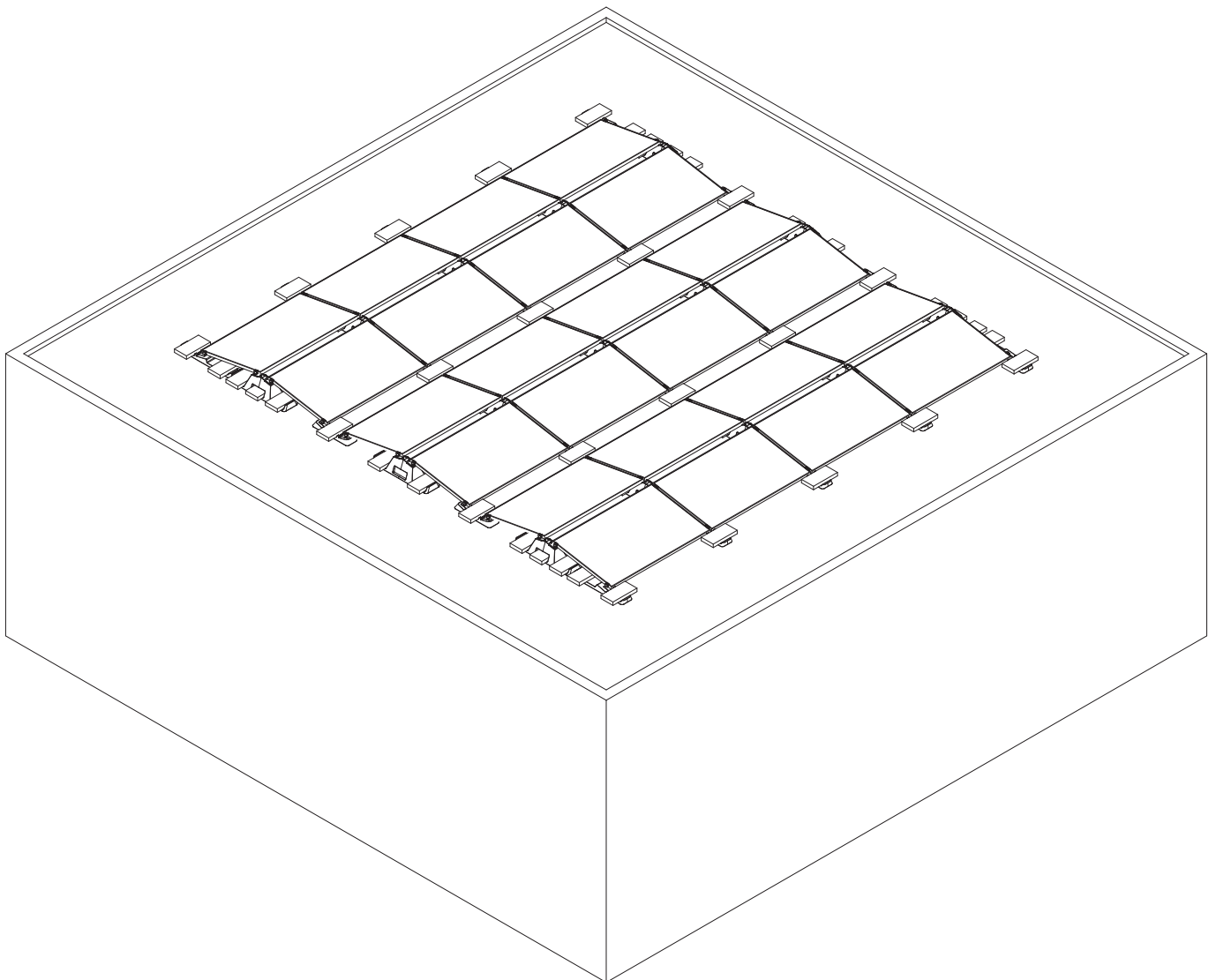


Operating instructions

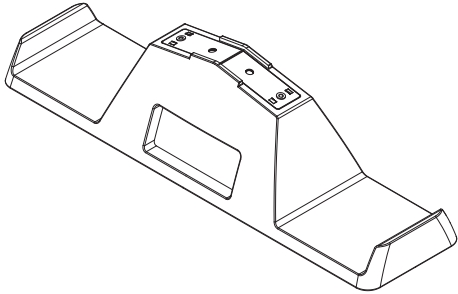
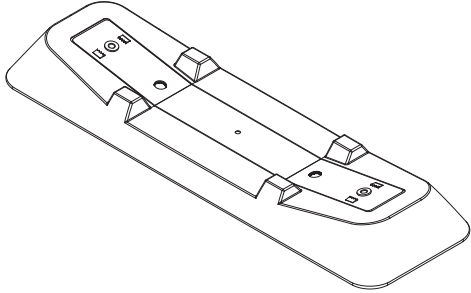
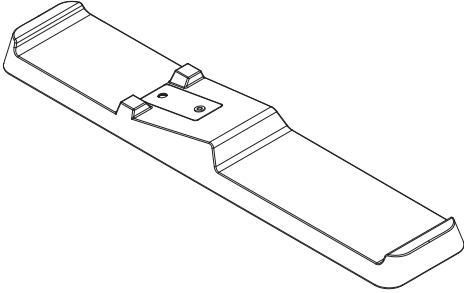
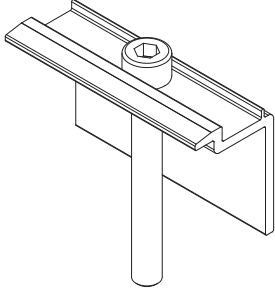
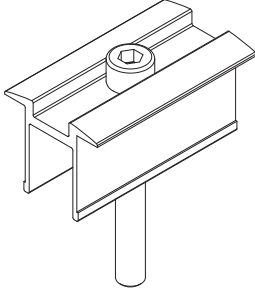


BALANCE

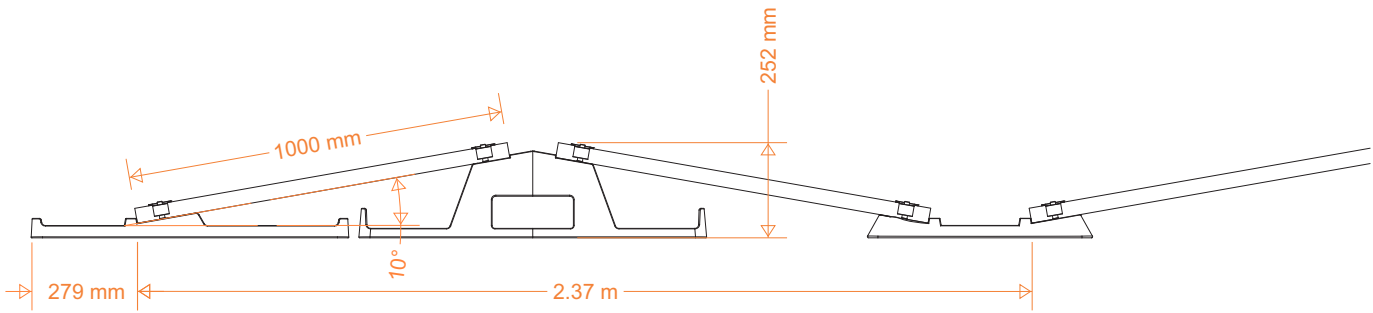
260



Overview of items

	Item number	Description
	3.01	Balance-260: high support 55 pcs per packing unit
	3.02	Balance-260: low support 160 pcs per packing unit
	3.03	Balance-260: edge support 120 pcs per packing unit
	3.11 3.12	Balance: end clamp 35 mm 40 mm
	3.19	Balance: center clamp, universal Clamping range: 30-50 mm

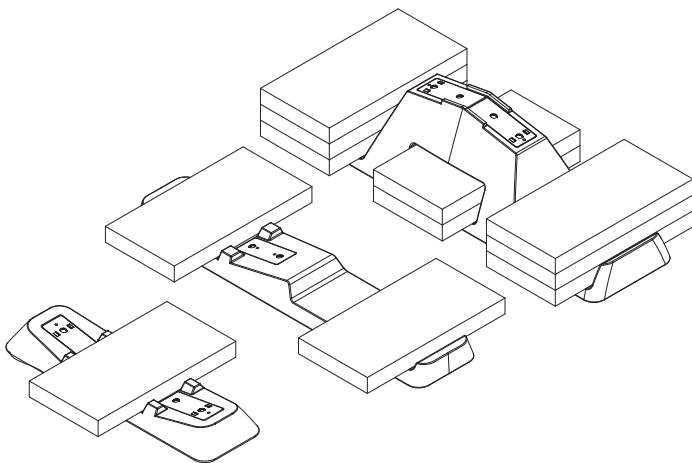
Dimensions



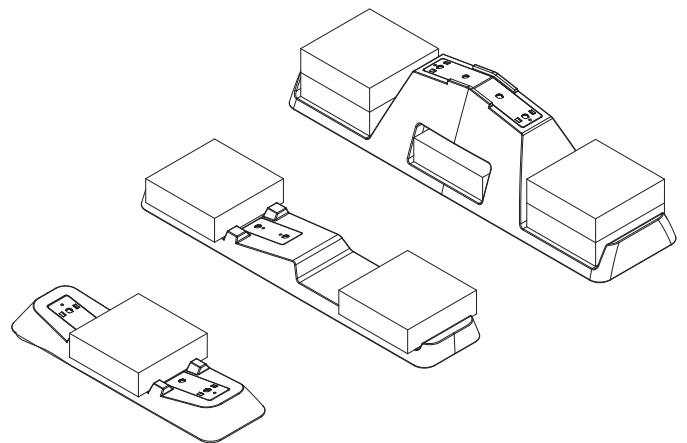
Ballast stones

The ballast stones are not included. Ideally, the stones used should have the following dimensions:

- 200 x 400 x 40 mm (approx. 7.5 kg)
- 200 x 200 x 60 mm (approx 5.2 kg)



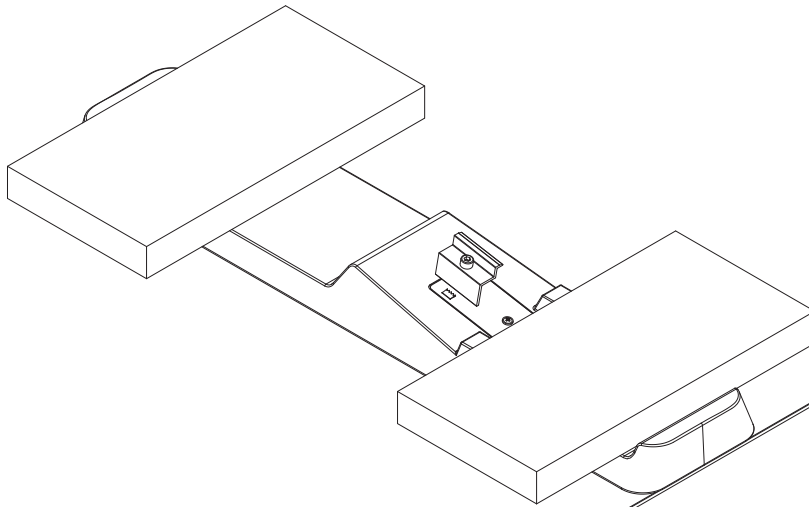
Maximum size: 200 x 200 x 40 mm



Maximum size: 200 x 200 x 60 mm

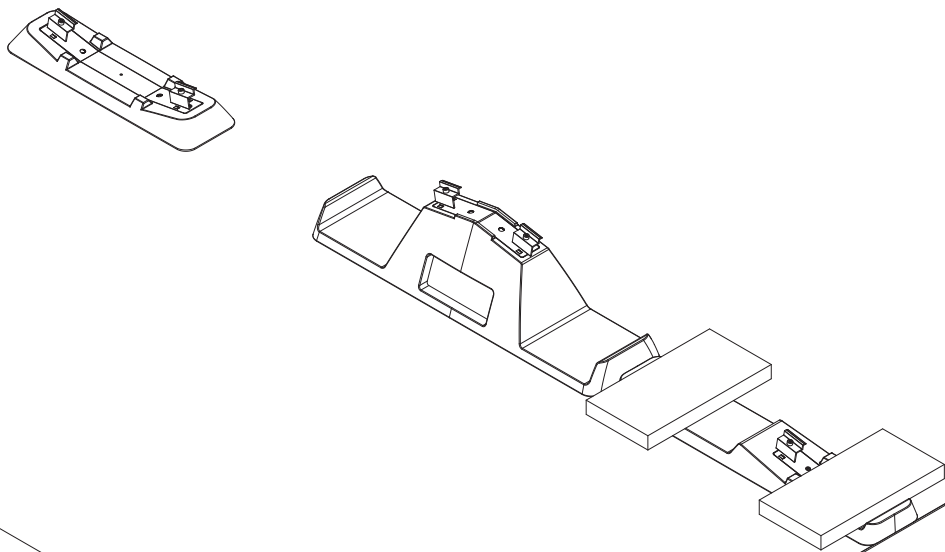
Other dimensions are also possible, whenever possible widths of 200 mm. Please do not hesitate to contact us if you need help with maximum dimensions.

1



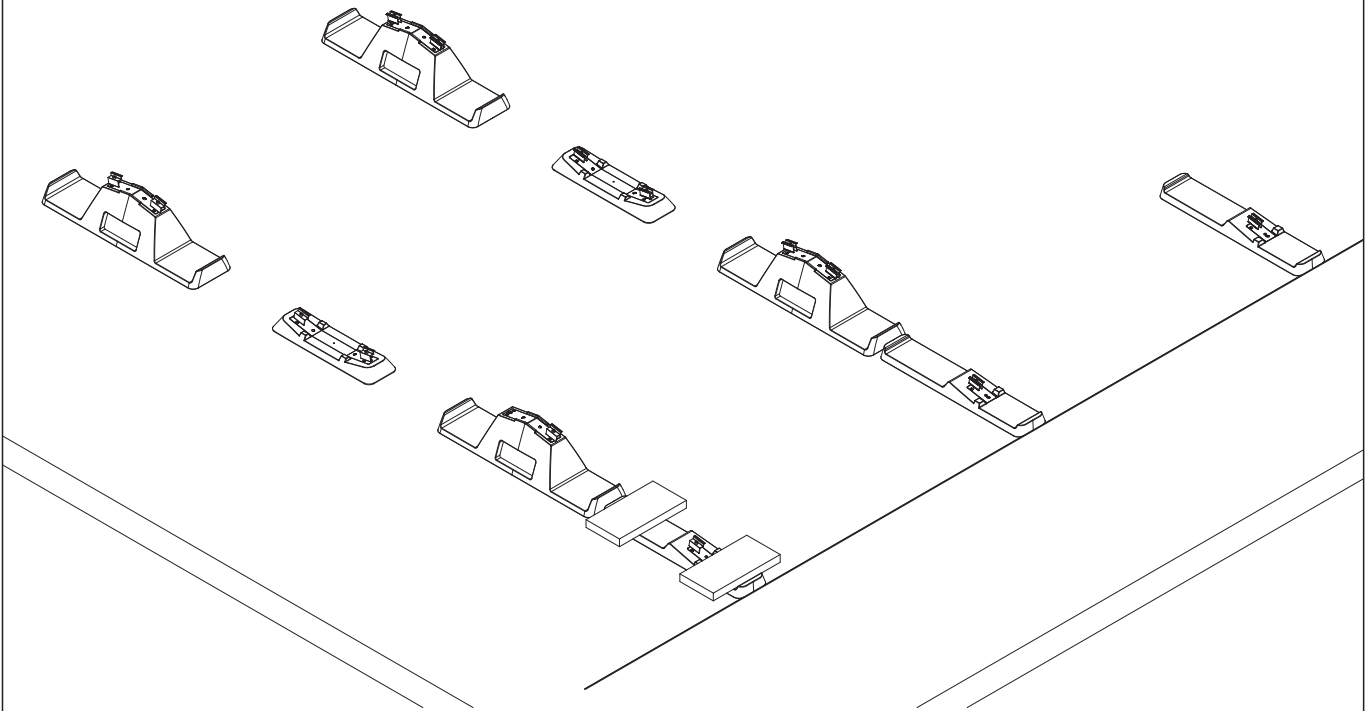
Mark the edge of the field with a chalk line / calibrate
"support, edge" and weigh down

2



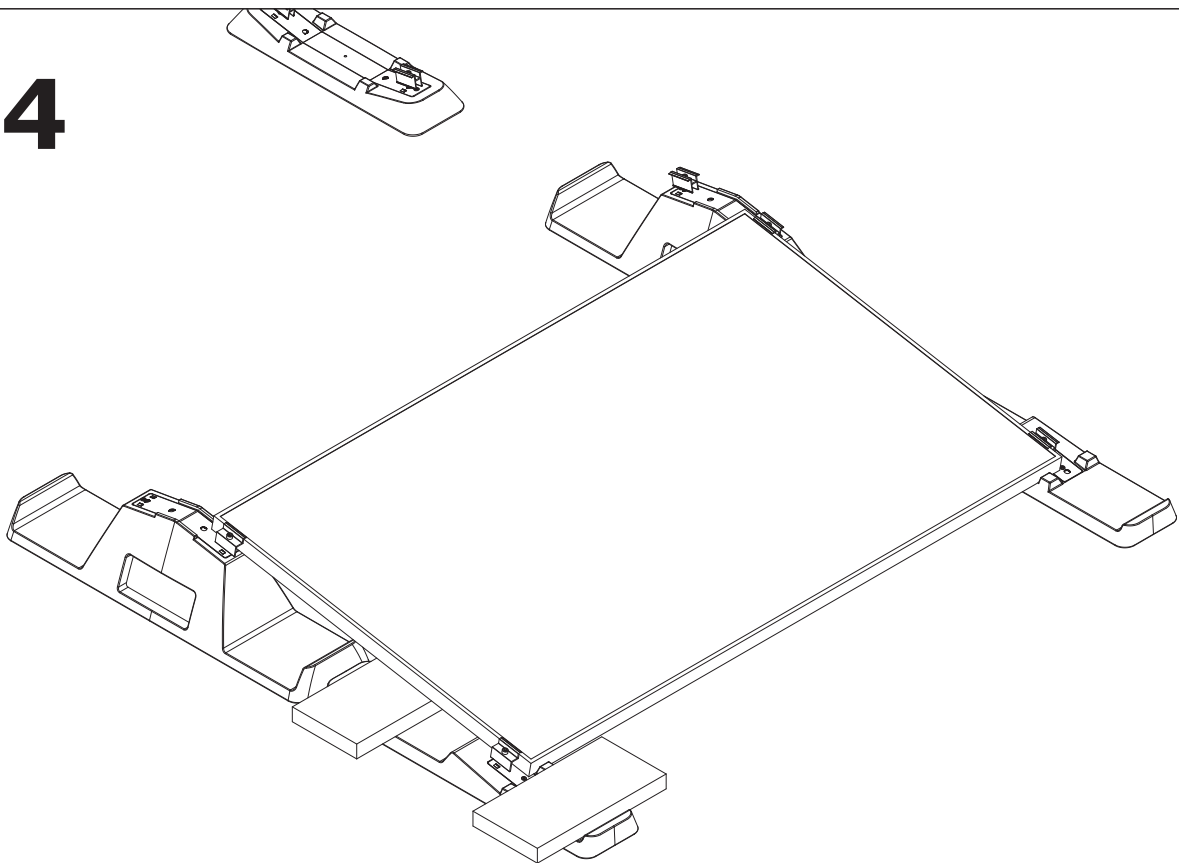
Place "high support" and "low support" approx.
at the distance of the module width

3



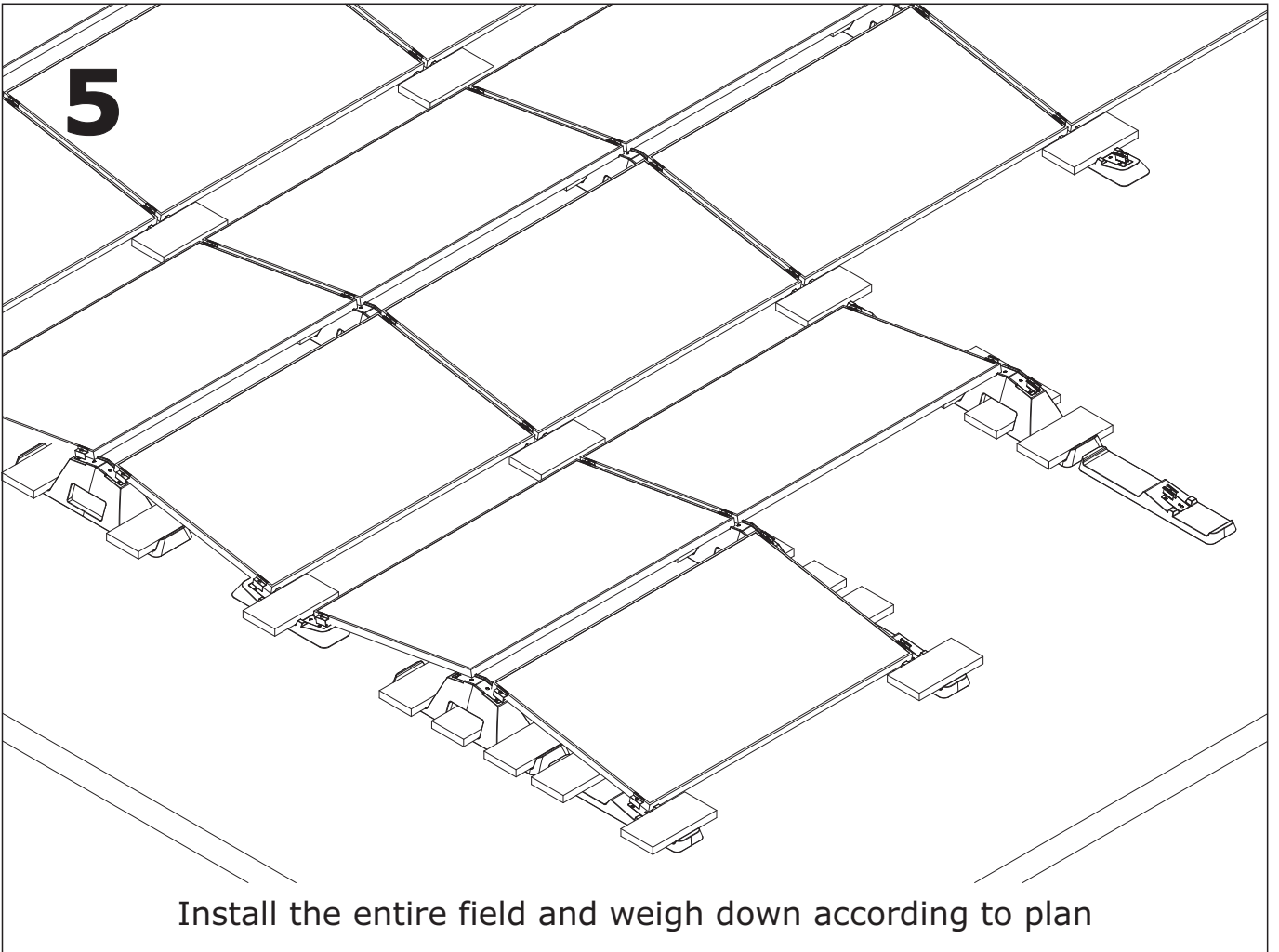
Place further supports approx. at the distance of the module length

4



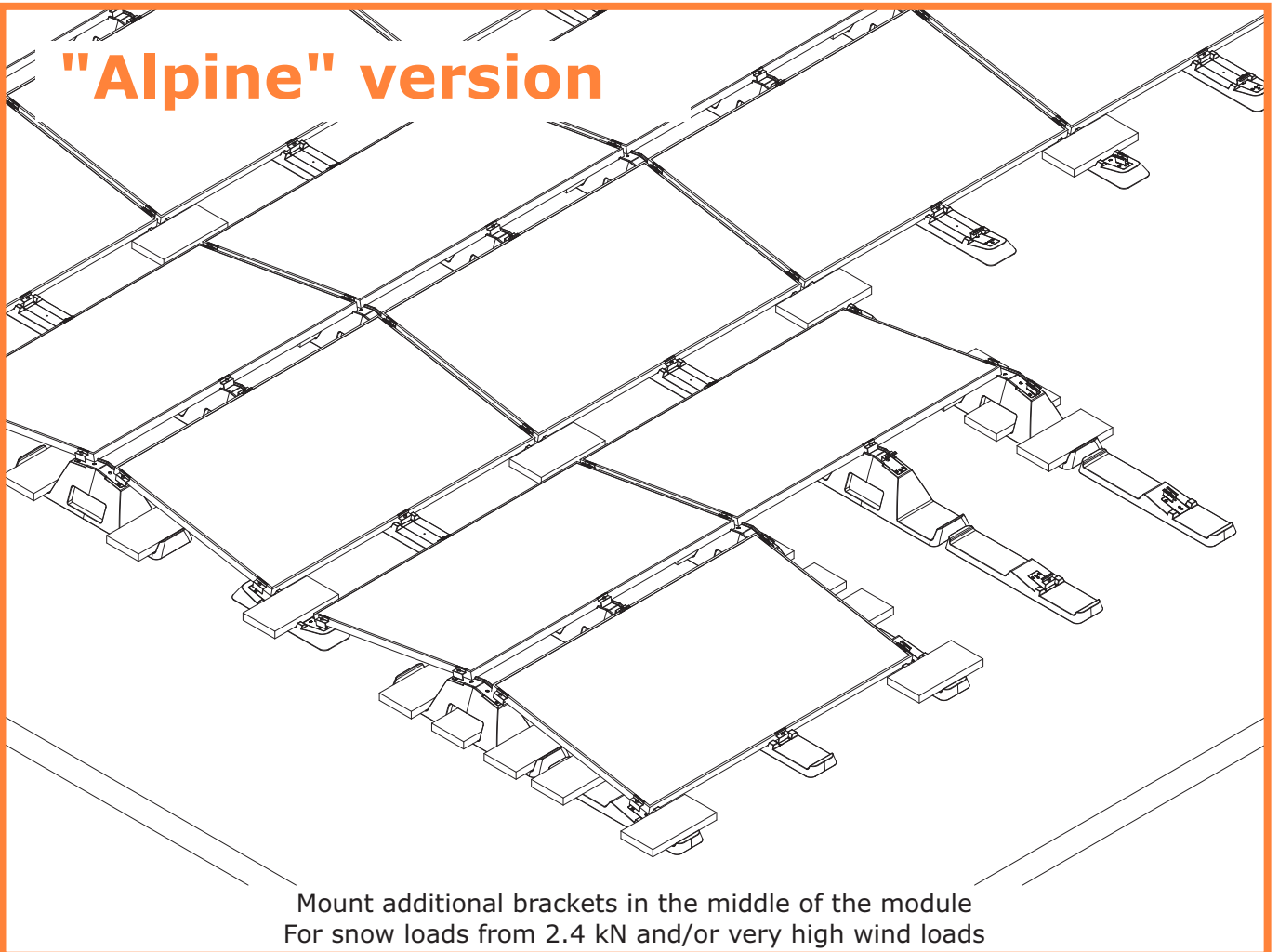
Align and clamp modules (15-20 Nm)

5



Install the entire field and weigh down according to plan

"Alpine" version



Mount additional brackets in the middle of the module
For snow loads from 2.4 kN and/or very high wind loads